



SPECIFICATIONS

MAD S2-12D2

Component	Subwoofer
Size	12" (300 mm)
Nominal Impedance	2+2 Ohm
Power RMS	350 W
Power MAX	700 W
Freq. response	20-200 Hz
Voice Coil	2" (51mm) PCW
Cone	IMPP
Dustcap	3D IMPP
Basket	M Steel
Magnet	HQ Ferrite
Suspension	USG Rubber
Weight	3.9 KG

PARAMETERS

Impedance	2+2 Ohm
Re	3.6 Ohm
Fs	27 Hz
Qms	4.79
Qes	0.54
Qts	0.49
Vas	75 L
Sd	493.2 cm ²
Mms	141 g
Le	1.250 mH
Xmax	17 mm
dB/SPL	87 dB 1W/1M
BI	10.4
Driver Vol. Displacement	2.2 L

MAD S2-12D2

THUNDER-SHAKING CONE

A robust, rigid and durable cone made by injection molded polypropylene (IMPP) that withstands the toughest resonance and membrane break-up. Provide it with raw power and you will be awarded!

USG™ CONSTRUCTION

The USG™ (Unity Surround & Gasket) construction around the cone optimizes the linear movement and cone displacement area, all to give you the extra edge in accuracy and provide an awesome musical performance.

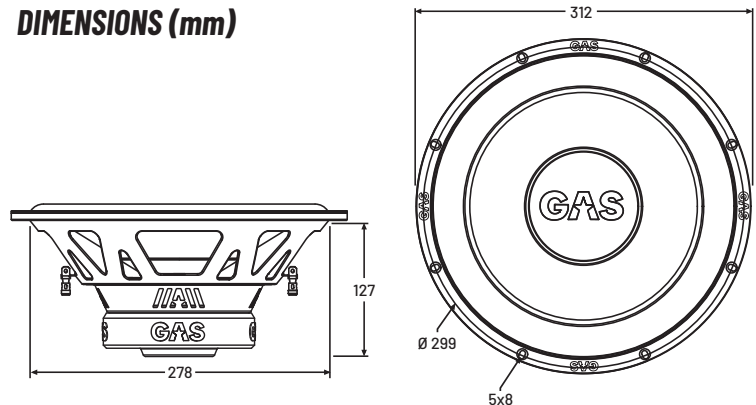
DVS™ VENTILATION SYSTEM

If you like it LOUD, proper cooling is key. We implemented the subwoofer with a DVS™ (Dual Ventilation System) for reduced distortion and increased heat dissipation. Are you ready to push the MAD S2-12D2 to the limit? The incorporated woven tinsel leads avoid annoying pop sounds and improves durability!

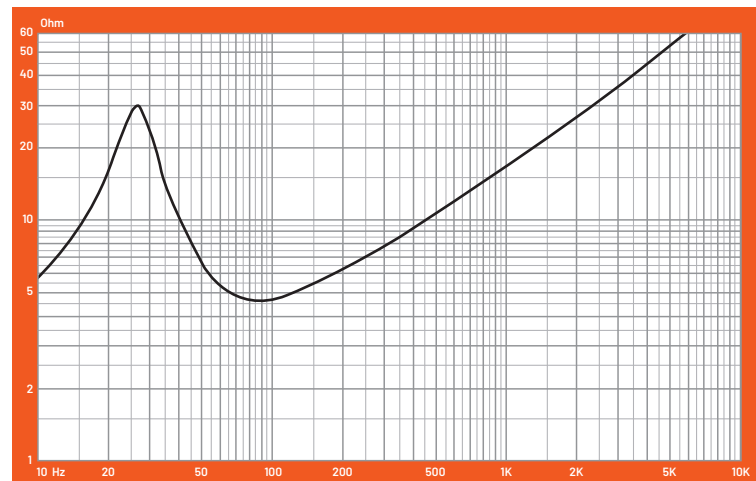
FIERCE DESIGN AND DUAL PCW VOICE COIL

To match its awesome sound, we made an industrial and rugged MAD shaped steel basket that endures the toughest conditions. The dual 2+2 Ohm 51mm voice coil is made of PCW (Pure Copper Wire) and the dust cap is, like the cone, made of IMPP for a unique 3D design. Walk tall and cruise with pride!

DIMENSIONS (mm)

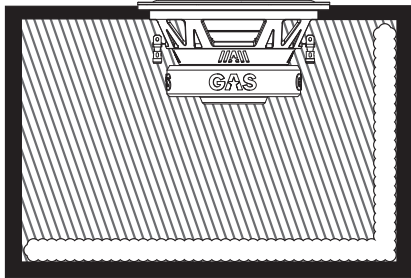


IMPEDANCE VS FREQUENCY

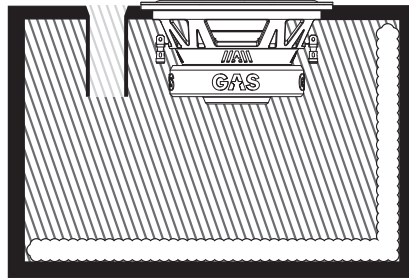


EAN barcode 7394409027533 Master Carton QTY 2 PCS

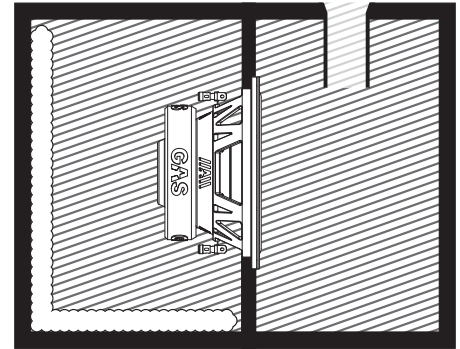
ENCLOSURE RECOMMENDATIONS



SEALED



VENTED



4TH ORDER BANDPASS

MAD S2-12D2:

	VOLUME	F3	QTC	FB	PORT	LENGTH	BANDWIDTH
SEALED	24L*	55Hz	0.792	x	x	x	x
SEALED	34L*	52Hz	0.707	x	x	x	x
VENTED	45L*	39Hz	x	38Hz	1x4" (102mm)	365mm	x
4TH ORDER BANDPASS	SEALED 37L** VENTED 52L	x	x	53Hz	2x4" (102mm)	265mm	(-3dB) 36Hz-78Hz

* Including driver displacement volume

** Including driver displacement and port volume

